

[Home](#) ■ [Products](#) ■ [Screens and Fine Screens](#) ■ [Complete Plants](#) ■ [HUBER Complete Plant ROTAMAT® Ro5](#)

## HUBER Complete Plant ROTAMAT® Ro5



The Original - with well-proven mechanical pre-treatment components

- With aerated or optionally unaerated grit channel
- Grit trap design according to DWA or customized
- Separate grease trap with semi-automatic grease removal (optional)

For reasons of operational safety the first step of sewage treatment works is generally mechanical wastewater pre-treatment including:

- Fine screening
- Screenings treatment
- Grit separation
- Grit classification
- Separation and removal of fat and grease

We developed and supplied our first ROTAMAT® Complete Plant Ro5 during the 1980s. Since then hundreds of consulting engineers and operators have selected and installed our Complete Plants because of their reliable operation and low maintenance. Planning and installation of our ROTAMAT® Complete Plants is not only quick and easy, but also saves considerable construction costs.

### 1. Fine screening

Depending on the specific conditions and data, such as peak flow, screenings load and grit load, one of the following screens is selected:

- HUBER Fine Screen ROTAMAT® Ro1  
Bar spacing 6 or 10 mm
- HUBER Rotary Drum Fine Screen ROTAMAT® Ro2 / RPPS  
Bar spacing 1 - 6 mm
- HUBER Micro Strainer ROTAMAT® Ro9  
Bar spacing 1 - 6 mm
- HUBER Belt Screen EscaMax®  
Perforation 1 - 10 mm
- HUBER Fine Screen STEP SCREEN® SSF  
Slot width 3 / 6 mm

## 2. Screenings treatment

- Fine Screen Ro1 / Rotary Drum Fine Screen Ro2 / RPPS / Micro Strainer Ro9:  
All ROTAMAT® Screens include a screenings press.  
Screenings washing with IRGA (optional)  
Dewatering and compaction in integrated screenings press  
Solids concentration of screenings: Up to 45 % DS.
- STEP SCREEN® SSF, Belt Screen EscaMax®  
A separate HUBER Screenings Wash Press WAP® is usually installed behind the screen.  
Solids concentration of screenings, depending on the WAP® type used: Up to 50 % DS.

## 3. Grit separation

The grit channels of our HUBER ROTAMAT® Complete Plants are designed in accordance with international standards or the customer's specific requirements. The grit channels are available as aerated or optionally unaerated units. The selection of the grit channel type (aerated or unaerated) depends on various criteria, such as the storm/dry weather flow ratio or whether further grit treatment systems are planned.

## 4. Grit removal and discharge

The settled grit is collected from the bottom of the grit channel with a horizontal grit screw. An inclined grit screw conveys, agitates and dewateres the collected grit. The classified grit slides from the upper end of the inclined screw into a RoSF4 T Grit Washer.

## 5. Grease separation and removal (optional)

Separation of fats and grease is only available when used with aerated grit channels. The grease is collected in a separate chamber with the partition between the grit trap chamber and grease chamber consisting of a slotted scum board. In contrast to many competitors, the floating fats and oils are skimmed off the water surface with a paddle scraper that is slowly pulled with a stainless steel rope. The paddle is shaped so that it removes virtually all floating matter from the grease trap. Anaerobic degradation of fat and grease and therefore odour nuisance, is thus prevented.

## Benefits

### THE BENEFITS OF OUR HUBER COMPLETE PLANT ROTAMAT® RO5

Complete and compact headwork unit performing the following process steps:

- Fine screening
- Screenings washing (optional)
- Screenings dewatering
- Grit separation
- Grit dewatering
- Grit trap aeration (optional)
- Optional combination with grit washing
- Grease separation and removal (optional)
- Removal efficiency in accordance with international standards (DWA) with Qmax: 90 % of 75 mesh grit (particle diameter 0.2 – 0.25 mm)
- Throughput capacity up to 300 l/s
- Separate grease chamber with semi-automatic grease removal (optional)

- Completely encased unit, no odor nuisance
- Frost protection for outdoor installation (optional)
- Above-ground or underground installation
- More than 800 installations
- Completely made of stainless steel (including the classifying screw)

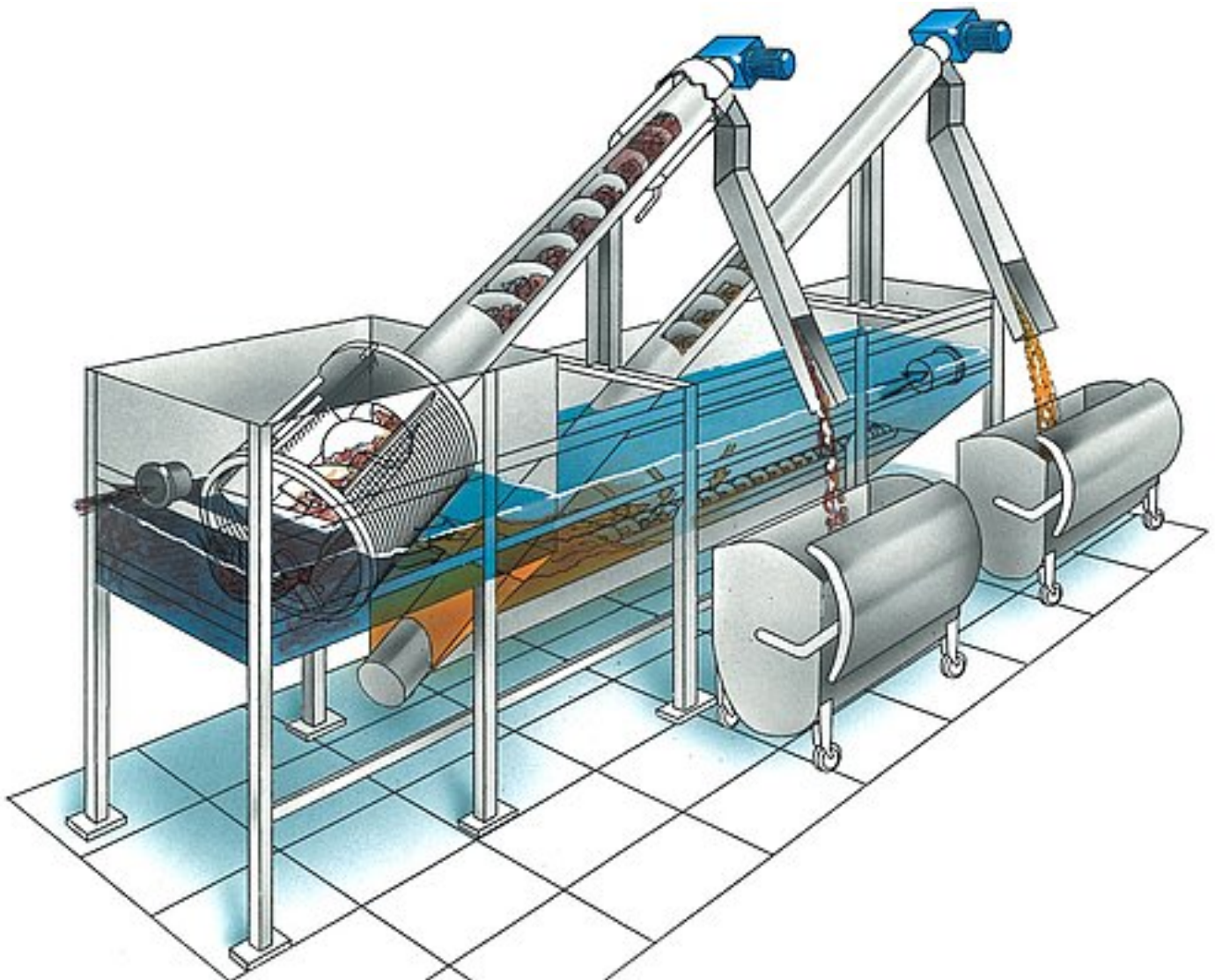
## Downloads

[Brochure: HUBER Complete Plant ROTAMAT® Ro5](#) [pdf, 307 KB]

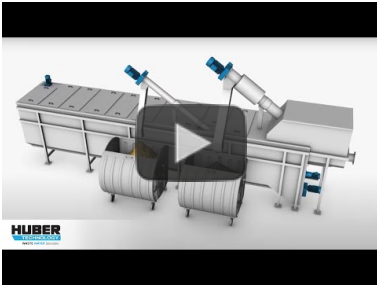
## Case Studies

- [When big ROTAMAT® Ro5 machines find their place](#)
- [Grit washing in grit trap: Complete Plant plus grit washing plant](#)
- [Romanos Hotel - Greece](#)

## Design Sketch



## Media



Animation: HUBER Complete Plant ROTAMAT® Ro5 HD  
<https://www.youtube.com/watch?v=BKPMhiNjmRI>

Video: Complete wastewater treatment at the Øygarden WWTP in Norway  
<https://www.youtube.com/watch?v=KU2awn3DP68>

### More products of this group: Complete Plants

- [HUBER Complete Plant Hydro Duct ROTAMAT® Ro5 HD](#)
- [HUBER Coanda Complete Plant ROTAMAT® Ro5 C](#)

**Huber Technology Middle East (FZE)**  
P.O. Box: 120137  
Plot J2-08  
Sharjah International Free Zone  
United Arab Emirates

Tel.: +971 6 5574059  
Fax: +971 6 5574069

Email: [info@huberme.com](mailto:info@huberme.com)  
Internet: [www.huberme.com](http://www.huberme.com)

Member of the HUBER group:  
[www.huber.de](http://www.huber.de)